



Project Name: _____

Location: _____

Item #: _____ Qty: _____

Model: _____

ICE STORAGE BIN

MODEL: BIN-580



BIN-580

The Berg ice bin is available to fit your ice storage capacity needs, and are designed to fit perfectly with Berg 30" ice machines as well as similar sized commercial machines.

FEATURES AND CONSTRUCTION _____

- Stainless steel and black trim exterior
- Polyethylene storage bin liner for improved sanitation
- Ice scoop and holder are above the ice line for easy access and improved sanitation
- 6" adjustable legs
- 3/4" drain hookup

ICE STORAGE CAPACITY _____

BIN-580 580 lbs (263 kg)

COMPATIBLE BERG MODELS* _____

BIN-580 (30" Width):

BIM-650F

BIM-650H

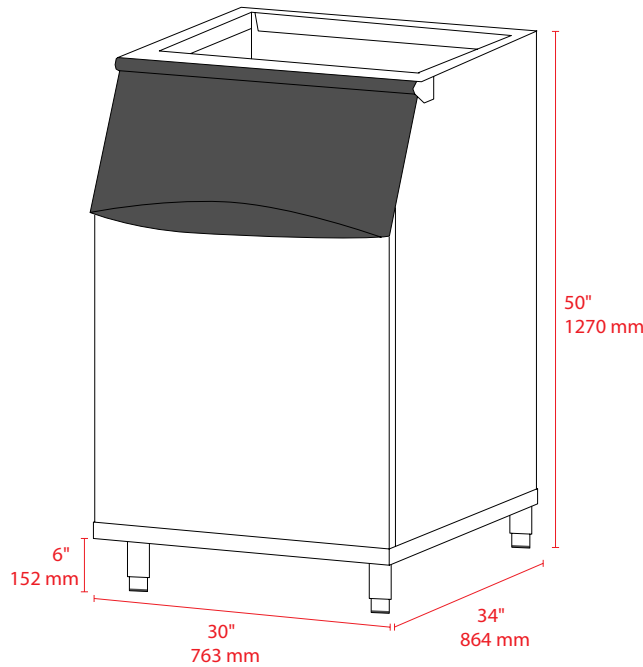
3RD PARTY APPROVALS _____



Certified to ANSI NSF 12

*BIN Series bins will accommodate any similarly sized ice machine from any manufacturer

MIB580N



MODEL	EXTERNAL DIMENSIONS	MAXIMUM ICE STORAGE CAPACITY	AHRI CAPACITY	SHIPPING WEIGHT	DRAIN LINE CONNECTION
BIN-580	30" x 34" x 50" (763 x 864 x 1270 mm)	580 lbs (263 kg)	464 lbs (210 kg)	164 lbs (75 kg)	3/4"

INSTALLATION

- Designed to fit perfectly with Berg Modular Ice Machines and most other commercial modular ice machines.
- A gravity drain line is required to install these ice bins