



Project Name: _____

Location: _____

Item #: _____ Qty: _____

Model: _____

SOLID DOOR REACH-IN FREEZERS

MODEL: BFZ-1D BFZ-2D



BFZ-1D



BFZ-2D

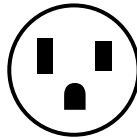
Berg's Solid Door Reach-In Freezers are constructed of a heavy duty stainless steel exterior making them strong and durable enough to survive any kitchen environment. The cooling units are bottom mounted and slide out for easy maintenance and cleaning. All models come with 4" casters and plastic coated wire shelving that is easily removable to adjust the shelf height. The front digital controllers and LED readout makes it easy to adjust the interior temperature. These models are ETL Listed and ETL Sanitation. They are backed with a 2 year warranty on parts and labor and a 5 year warranty on the compressor.

FEATURES AND CONSTRUCTION

- Exterior is constructed of 430 stainless steel including doors
- Interior is constructed of a painted aluminum liner
- The cabinet is insulated throughout with a foamed-in-place high density cell polyurethane insulation
- Recessed handles are built into the door for easy opening and closing
- Environmentally friendly R290 refrigerant
- LED temperature controller provides a digital display of cabinet temperatures and allows for easy temperature adjustments when necessary
- Bottom mounted cooling unit slides out for easy cleaning and maintenance and allows for storage area on top of the unit
- Includes 4" casters
- Bright LED lighting
- Self closing door
- Removable door gasket for easy cleaning
- Adjustable plastic coated steel shelves that have a load capacity of up to 90 lbs per shelf
- Locking door(s) keep items inside secure after hours

ELECTRIC

115V / 60Hz / 1Ph
7' (2.1m) NEMA 5-15P cord set included



NEMA 5-15P

3RD PARTY APPROVALS



Intertek



Intertek

BERG WARRANTY

Berg reach-in refrigerators and freezers are warrantied for 2 years on parts & labor, 5 year warranty on the compressor.

For warranty service on these products please call National Service America (NSA) at 1-877-672-7740.

OPTIMAL STORAGE CAPACITY

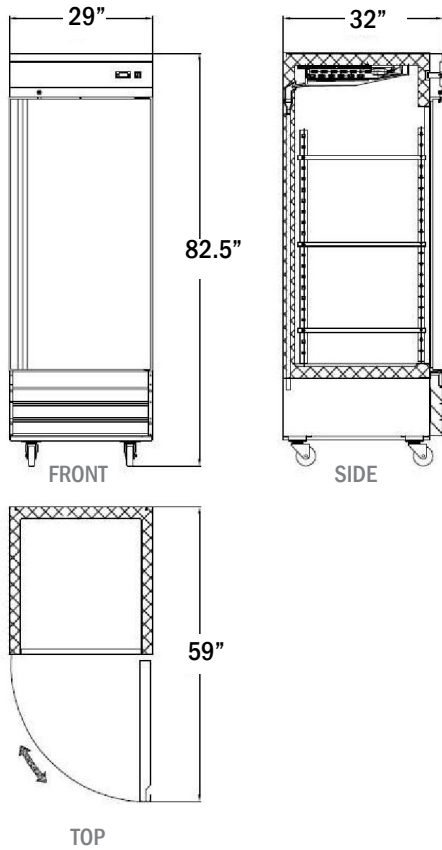
BFZ-1D	23 Cu Ft (651 L)
BFZ-2D	48 Cu Ft (1359 L)

TEMPERATURE

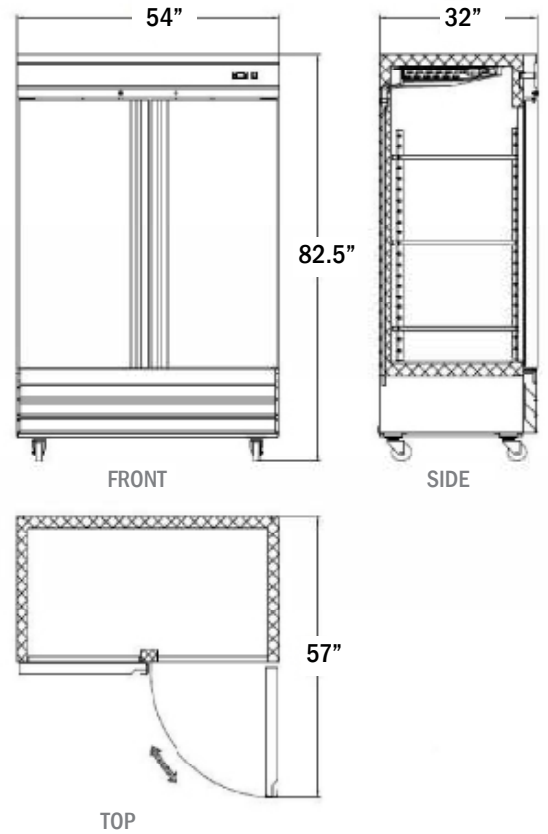
BFZ-1D / BFZ-2D -7°F to 0°F (-22°C to -18°C)

- These models are designed to operate in an environment where temperature and humidity do not exceed 75°F (24°C) and 55% relative humidity

BFZ-1D



BFZ-2D



Model	BFZ-1D	BFZ-2D
Doors	1	2
Shelves	3	6
Net Volume (Cu. Ft.)	23 Cu. Ft.	48 Cu. Ft.
Overall Dimensions (in)	29" x 32" x 82.5"	54" x 32" x 82.5"
Interior Dimensions (in)	24" x 27" x 60"	49" x 27" x 60"
Refrigerant	R290	R290
Horsepower	1/2	1
Voltage/Hertz/Phase	115/60/1	115/60/1
Amps	7.1	10.7
Net Weight (lbs)	278 lbs	448 lbs
Gross Weight (lbs)	322 lbs	536 lbs
Shipping Dimensions (in)	31.5" x 35" x 85"	57" x 35" x 85"