



# Undercounter Freezers

Service / Warranty: 888-828-5535

**MODELS:** BERU27F  
BERU48F

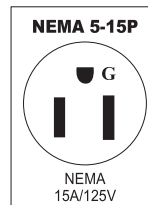


## FEATURES:

- Stainless Steel Exterior & Interior with reinforced stainless steel top.
- Environmentally friendly R290 refrigerant
- Dixell digital controller
- Maintains Temperatures between -8°F – 0°F degrees.
- Recessed door handle (s)
- Self-closing door (s) with stay open feature
- Magnetic Door Gasket(s) standard for positive door seal
- Pre-installed casters
- One (1) pre-installed shelf per section

## DIMENSIONS:

	Width	Depth	Height	Weight
BERU27F	27 <sup>1</sup> / <sub>2</sub>	× 30	× 34 <sup>1</sup> / <sub>8</sub>	179
BERU48F	48 <sup>1</sup> / <sub>4</sub>	× 30	× 34 <sup>1</sup> / <sub>8</sub>	245



• 2 YEAR PARTS AND LABOR WARRANTY • 5 YEAR COMPRESSOR PART WARRANTY

MD. 02/08/2023



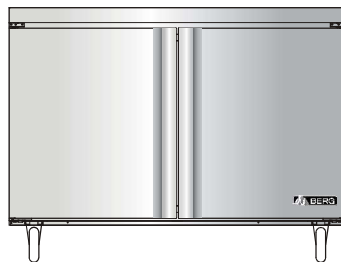
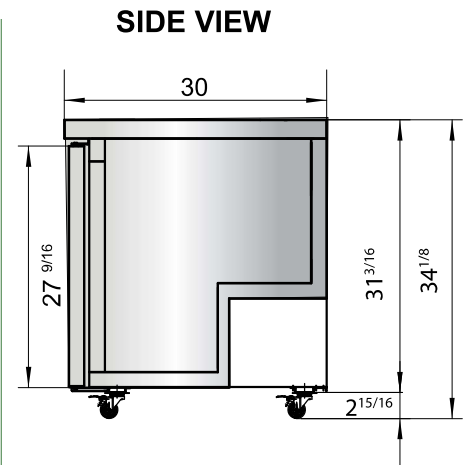
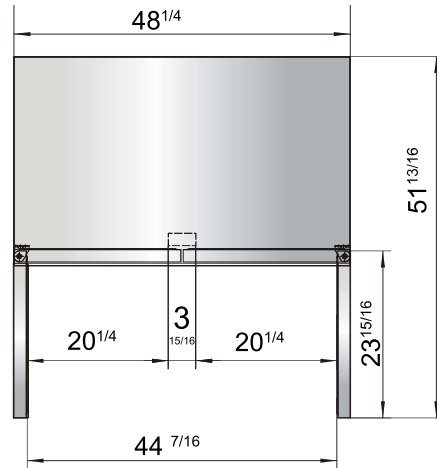
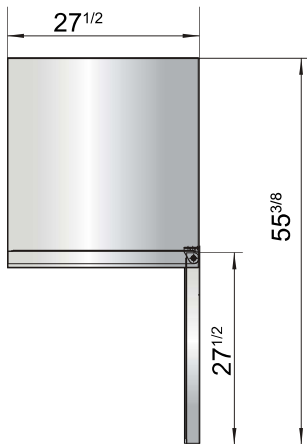
# Undercounter Freezers

Service / Warranty: 888-828-5535

## SPECIFICATIONS

Model	Doors	Cu.Ft	Shelves	Dimensions (WxDxH)	Casters	Gross Weight (LBS)	HP	Voltage	Amps	Refrigerant
<b>BERU27F</b>	1	7.15	1	27 <sup>1/2</sup> X 30 X 34 <sup>1/8</sup>	2.5 inch	179 lbs	1/5	115/60/1	1.8	R290
<b>BERU48F</b>	2	13.38	2	48 <sup>1/4</sup> X 30 X 34 <sup>1/8</sup>	2.5 inch	245 lbs	1/4	115/60/1	2.6	R290

## LINE DRAWINGS



### Temperature Control



### Epoxy Shelves



### Casters



### Rear Grate

