



# Bottom Mount Reach-in Refrigerator

## One, Two and Three Door Reach-ins

Service / Warranty: 888-828-5535

**BERB1R**



**BERB2R**



**BERB3R**



**BER1RLH**



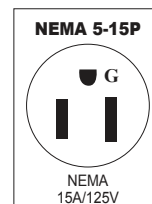
**MODELS:** BERB1R  
BERB2R  
BERB3R  
BER1RLH

### FEATURES:

- ☑ Bottom mount compressor units with environmentally friendly R290 refrigerant
- ☑ Stainless Steel Exterior & Interior
- ☑ Dixell digital controller
- ☑ Maintains temperatures between 33°F – 40°F
- ☑ LED interior light (s)
- ☑ Recessed door handle(s)
- ☑ Door lock(s) standard
- ☑ Magnetic door gaskets(s) standard for positive door seal
- ☑ Pre-installed casters
- ☑ Three (3) Pre-installed shelves per section
- ☑ Down Duct Refrigeration to Ensure even distribution of air

### DIMENSIONS:

	Width	Depth	Height	Net Weight
<b>BERB1R</b>	27	x 31 <sup>1/2</sup>	x 83 <sup>1/8</sup>	249
<b>BERB2R</b>	54 <sup>3/8</sup>	x 31 <sup>1/2</sup>	x 83 <sup>1/8</sup>	397
<b>BERB3R</b>	81 <sup>7/8</sup>	x 31 <sup>1/2</sup>	x 83 <sup>1/8</sup>	538
<b>BER1RLH</b>	24 <sup>1/5</sup>	x 24	x 63 <sup>1/5</sup>	176



• 2 YEAR PARTS AND LABOR WARRANTY • 5 YEAR COMPRESSOR PART WARRANTY

MD. 12/07/2023



# Bottom Mount Reach-in Refrigerator

## One, Two and Three Door Reach-ins

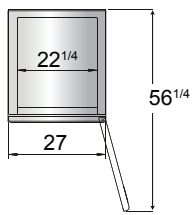
Service / Warranty: 888-828-5535

### SPECIFICATIONS

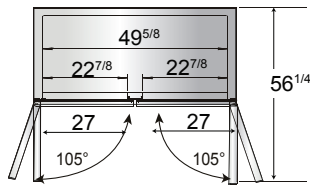
Model	Doors	Cu.Ft	Shelves	Exterior Dimensions (WxDxH)	Casters	Crated Weight	HP	Voltage	Amps	Refrigerant
<b>BERB1R</b>	1	19.1	3	27 × 31 <sup>1/2</sup> × 83 <sup>1/8</sup>	4 inch	282 lbs	1/7	115/60/1	2.1	R290
<b>BERB2R</b>	2	46.77	6	54 <sup>3/8</sup> × 31 <sup>1/2</sup> × 83 <sup>1/8</sup>	4 inch	452 lbs	1/5	115/60/1	3.2	R290
<b>BERB3R</b>	3	67.99	9	81 <sup>7/8</sup> × 31 <sup>1/2</sup> × 83 <sup>1/8</sup>	4 inch	615 lbs	1/4	115/60/1	4.2	R290
<b>BER1RLH</b>	1	8.3	3	24 <sup>1/5</sup> × 24 × 63 <sup>1/5</sup>	2 inch	209 lbs	1/7	115/60/1	2.1	R290

### LINE DRAWINGS

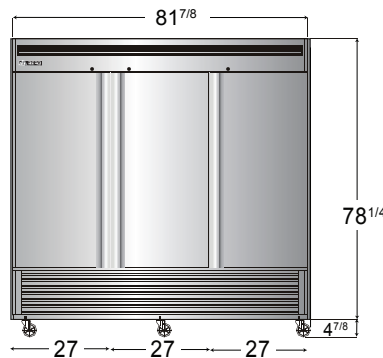
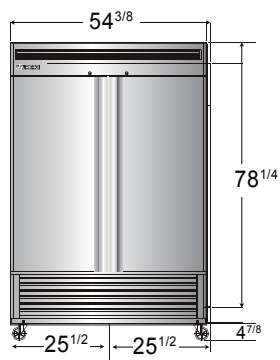
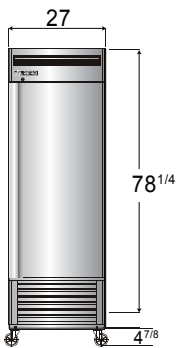
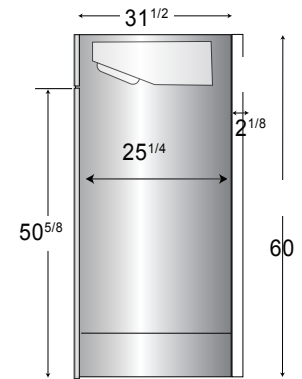
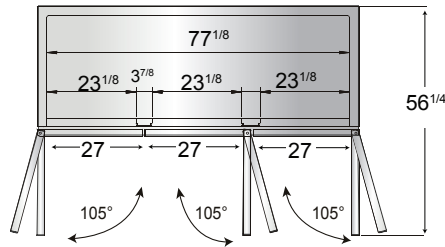
**BERB1R**



**BERB2R**



**BERB3R**



**Temperature Control**



**Epoxy Shelves**



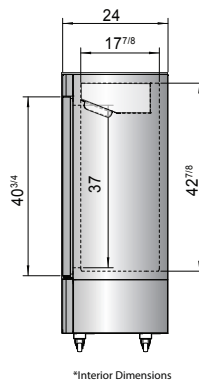
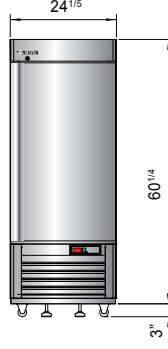
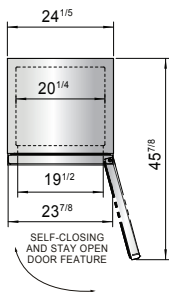
**Door Lock**



**Casters**



**BER1RLH**



\*Interior Dimensions

SELF-CLOSING AND STAY OPEN DOOR FEATURE