



Worktop Refrigerators with Backsplash

Service / Warranty: 888-828-5535

MODELS: BERWT27R
BERWT48R
BERWT60R

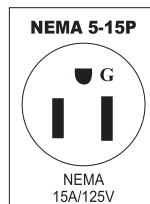
FEATURES:

- ☑ Stainless steel exterior & interior with reinforced stainless steel top with foamed in place backsplash
- ☑ Environmentally friendly R290 refrigerant
- ☑ Electronic temperature controller
- ☑ Maintains temperatures between 33°F - 40°F
- ☑ Recessed door handle(s)
- ☑ Self-closing door(s) with stay open feature
- ☑ Magnetic door gasket(s) standard for positive door seal
- ☑ Pre-installed casters
- ☑ One(1) pre-installed shelf per section



DIMENSIONS:

	Width	Depth	Height	Weight
BERWT27R	27 ^{1/2} x	30 x	39 ^{4/5}	176 lbs
BERWT48R	48 ^{3/10} x	30 x	39 ^{4/5}	242 lbs
BERWT60R	60 ^{1/5} x	30 x	39 ^{4/5}	277 lbs



2 YEAR PARTS AND LABOR WARRANTY

5 YEAR COMPRESSOR PART WARRANTY

MD. 02/08/2023



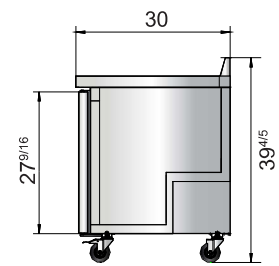
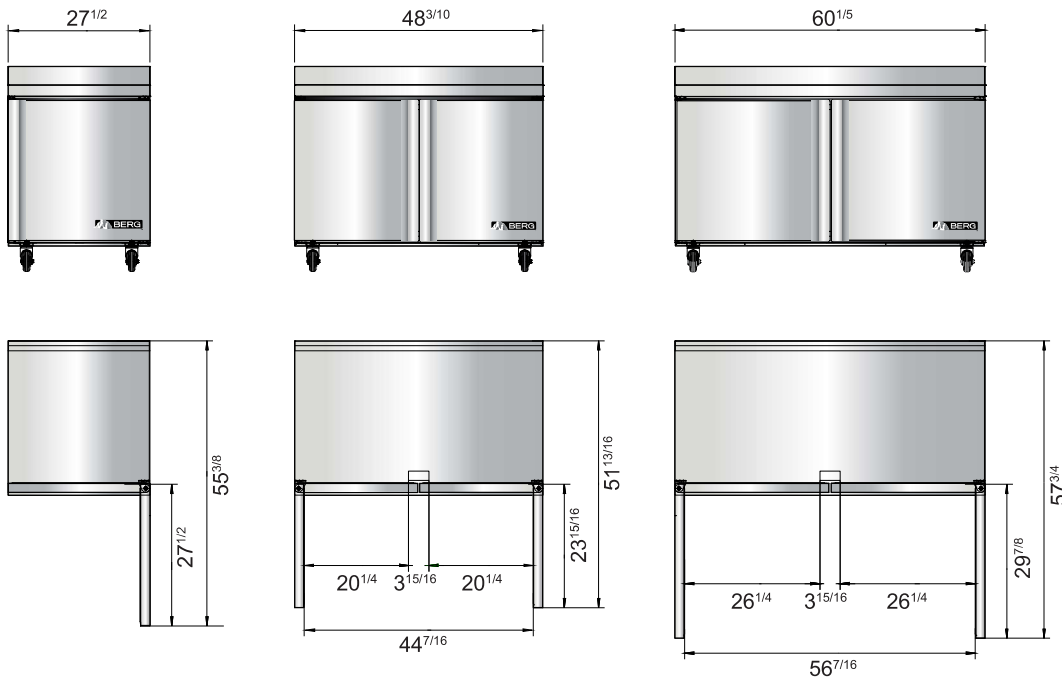
Worktop Refrigerators with Backsplash

Service / Warranty: 888-828-5535

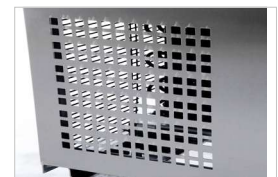
SPECIFICATIONS

Models	Door	Capacity (Cu.Ft.)	Shelves	Casters (inch)	Amps (A)	Voltage (V/Hz/Ph)	HP	Refrigerant	Exterior Dimensions (inch)	Net Weight (lbs)	Gross Weight (lbs)
BERWT27R	1	7.2	1	4	2.3	115/60/1	1/7	R290	27 ^{1/2} ×30×39 ^{4/5}	137	176
BERWT48R	2	13.4	2	4	2.3	115/60/1	1/7	R290	48 ^{3/10} ×30×39 ^{4/5}	192	242
BERWT60R	2	17.2	2	4	2.8	115/60/1	1/5	R290	60 ^{1/5} ×30×39 ^{4/5}	218	277

LINE DRAWINGS



Rear grate



Epoxy shelves



Casters

