



Project Name:	
Location:	
Item:	Qty:
Model:	

LC-320 GLASS DOOR MERCHANDISER



Berg glass door merchandiser refrigerators are designed for durability and visual appeal to display your product. This glass door merchandiser is energy efficient and effective at displaying and regulating the right temperature to preserve freshness and prolong the shelf life of on-the-go beverages and packaged food products. Simple-to-use, programmable solid-state digital controls deliver accurate temperature regulation. This model is ETL Listed and ETL Sanitation Listed

CONSTRUCTION AND FEATURES

- Exterior is constructed of black powder coated steel.
- Interior is constructed of coated aluminium.
- PVC door frame with a double tempered glass door.
- The cabinet is insulated throughout with a foamed-in-place high density cell polyurethane insulation.
- Environmentally friendly R600a refrigerant.
- The front digital controller makes it easy to adjust the interior temperature.
- Maintains a temperature range of 33°~41°F.
- Equipped with 2 adjusted feet in front and rear 2 rollers.
- Bright vertical LED lighting for enhanced product visibility
- Removable door gasket for easy cleaning.
- Adjustable plastic coated steel shelves.
- Locking door to keep items inside secure after hours.
- Hot air anti-condensation on the glass door.

WARRANTY

- One year parts and labor
- Five years on the compressor

These units comes with a NEMA 5-15 cord.
Requires a grounded circuit for safe operation.

LC-320

	<p>Specifications subject to change without notice.</p> <p>For warranty service on these products, please call Berg at 888-585-9440</p>
--	---

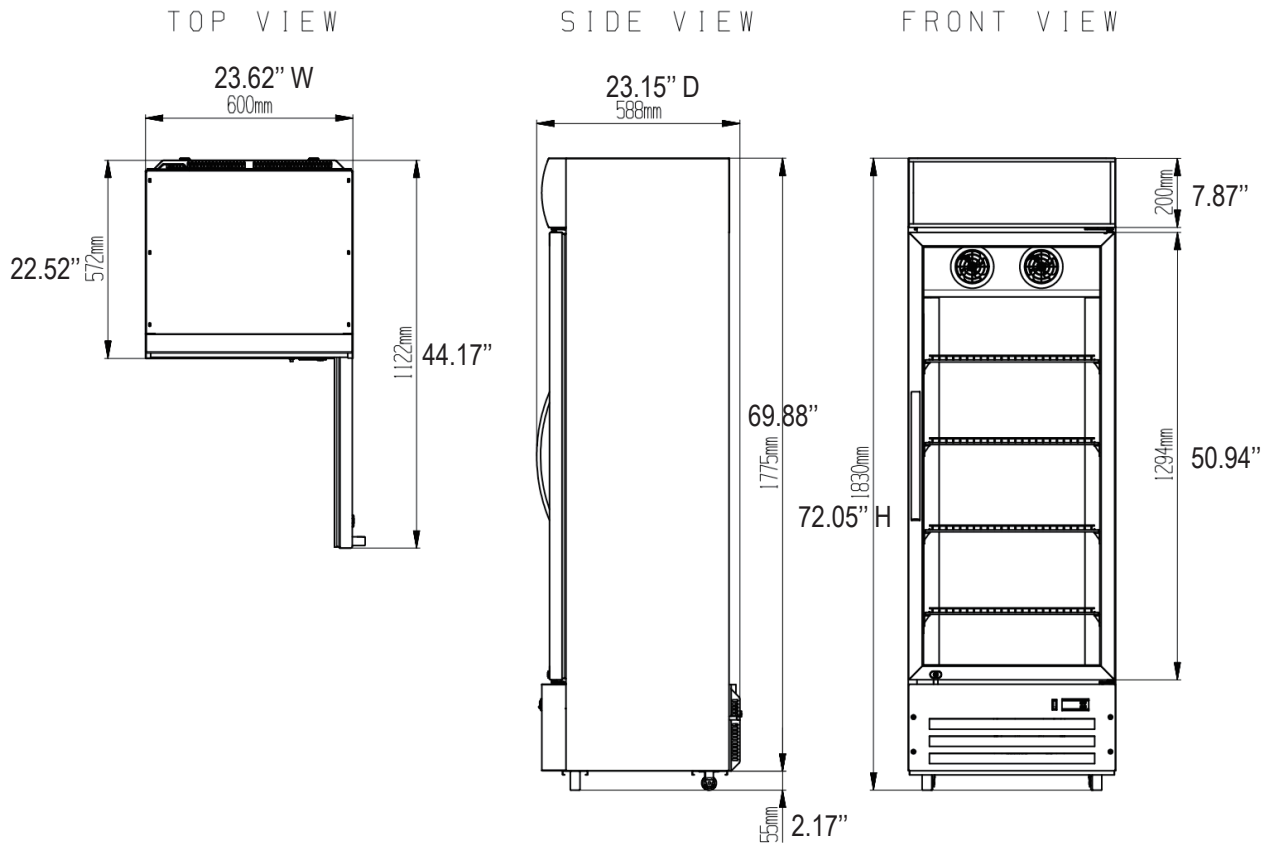


Project Name:	
Location:	
Item:	Qty:
Model:	

LC-320

GLASS DOOR MERCHANDISER

DIMENSIONS



Model Number	LC-320
Doors	1
Shelves	4
Volume(cu.ft)	9.9
Overall Dimensions(in)	23.62" W x 23.15" D x 72.05"H
Interior Dimensions(in)	20.67" W x 17" D x 48.6" H
Horsepower	1/4
Refrigerant	R600a
V/Hz/Ph	115/60/1
Amps	2.2
Net Weight (lbs)	132.3
Gross Weight (lbs)	167.6
Shipping Dimensions (in)	25.6" W x 24" D x 79.1" H

LC-320