



Worktop Freezers with Backsplash

Service / Warranty: 888-828-5535



MODELS: BERWT27F
BERWT48F

FEATURES:

- ☑ Stainless steel exterior & interior with reinforced stainless steel top with foamed in place backsplash
- ☑ Environmentally friendly R290 refrigerant
- ☑ Electronic temperature controller
- ☑ Maintains temperatures between -8°F - 0°F
- ☑ Recessed door handle(s)
- ☑ Self-closing door(s) with stay open feature
- ☑ Magnetic door gasket(s) standard for positive door seal
- ☑ Pre-installed casters
- ☑ One(1) pre-installed shelf per section

DIMENSIONS:

	Width	Depth	Height	Weight
BERWT27F	27 ^{1/2} x	30 x	39 ^{4/5}	179 lbs
BERWT48F	48 ^{3/10} x	30 x	39 ^{4/5}	245 lbs



2 YEAR PARTS AND LABOR WARRANTY

5 YEAR COMPRESSOR PART WARRANTY

MD. 02/08/2023



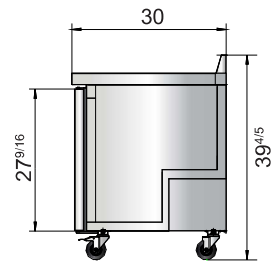
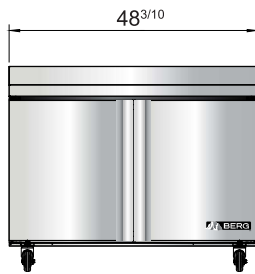
Worktop Freezers with Backsplash

Service / Warranty: 888-828-5535

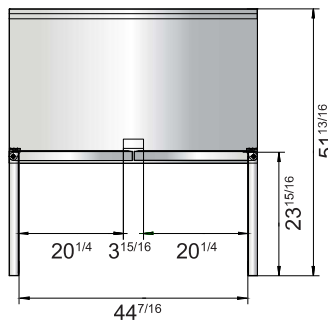
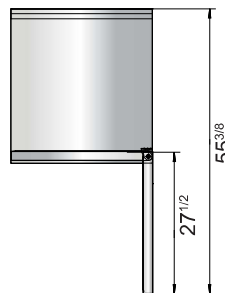
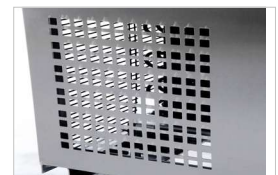
SPECIFICATIONS

Models	Door	Capacity (Cu.Ft.)	Shelves	Casters (inch)	Amps (A)	Voltage (V/Hz/Ph)	HP	Refrigerant	Exterior Dimensions (inch)	Net Weight (lbs)	Gross Weight (lbs)
BERWT27F	1	7.2	1	4	1.8	115/60/1	1/5	R290	27 ^{1/2} ×30×39 ^{4/5}	146	179
BERWT48F	2	13.4	2	4	2.6	115/60/1	1/4	R290	48 ^{3/10} ×30×39 ^{4/5}	203	245

LINE DRAWINGS



Rear grate



Epoxy shelves



Casters

